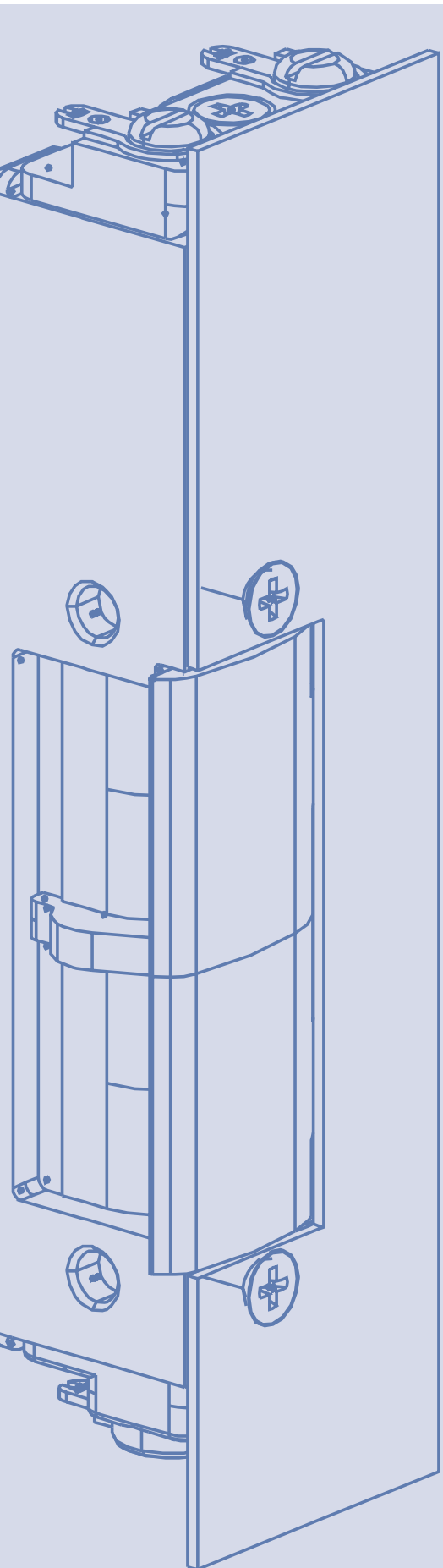


Data Sheet Model Series 142, 342



Specifications

Standard break-in resistance	10000 N
Break-in resistance FaFix	6500 N
Material: Housing/keep standard	Precision cast steel/steel
Material: Housing/keep/surface-m. attachment FaFix	Precision cast steel/precision cast steel/steel
Operating temperature range	-15 °C to + 40 °C
Mounting independent of position	No

Electrical data

At 20 °C

	Operating temperature range Tolerance range	Rated resistance in Ohm	AC current consumption in mA	DC current consumption in mA (50% residual ripple)	DC current consumption in mA (stabilized)	Operating noise during AC operation*	Operating noise during DC operation* (50% residual ripple)	Keep pre-load max. in N with AC	Keep pre-load max. in N with DC (50% residual ripple)	Keep pre-load max. in N with DC (stabilized)
6-12 V (6-V operation)	as specified	7.7	550	740	780	4	1	160	40	10
6-12 V (12-V operation)	as specified	7.7	1100	1480	1560	3	1	90	100	70
8-16 V (8-V operation) replaces 12 V intercom	as specified	16.5	350	470	485	4	0	90	30	10
8-16 V (12-V operation) replaces 12 V intercom	as specified	16.5	500	710	725	4	1	110	70	50
8-16 V (16-V operation) replaces 12 V intercom	as specified	16.5	700	940	970	4	0	60	70	30
12 V eE	± 1 V	60.0	130	190	200	3	1	50	20	10
24 V eE	± 2 V	230.0	70	100	105	4	0	60	20	10
12 V fail-unlocked 3-type	± 1 V	61.0		180	195		0			
24 V fail-unlocked 3-type	± 2 V	200.0		115	120		0			

Order data, model series 142, 342

Order number = blue area

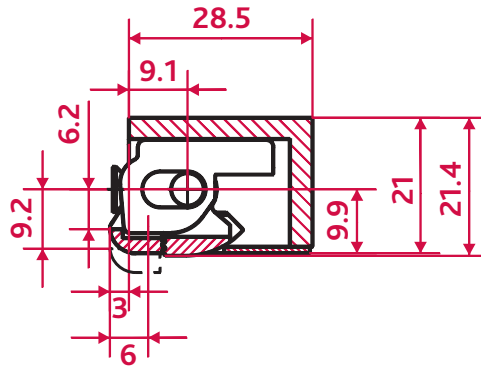
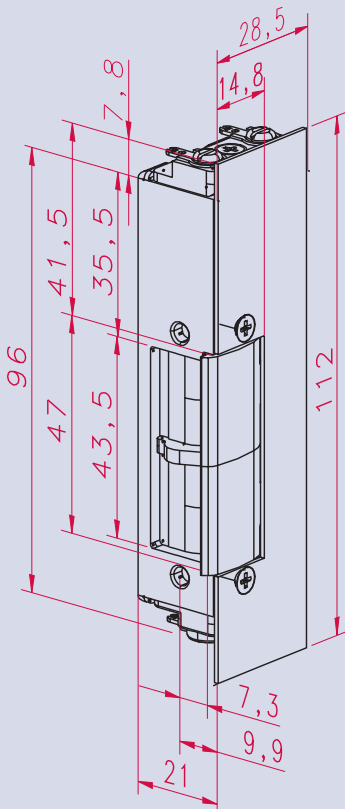
Model	342	Design	Striking plate	Colour	Voltage	DIN orientation	
Digits 1 - 7			Digits 8 - 10	Digits 11 + 12	Digits 13 + 14	Digit 15	
142	142	GRM A FIX F	HZ 021	EST 35	6-12 V	DI DL 4	
342	342	S S FAFIX FF	iW 066	galvanized 40	8-16 V	RI DR 5	
14205	14205		HZF 033	grey 02	12 V Intercom	E5	
34205	34205		Possible combinations are indicated in the striking plate tables.	gold 01	12 V eE	E3	
1422	1422				24 V eE	F3	For indication of the DIN orientation, please note the striking plate table and the selected striking plate.
					Fail unlocked 12 V (342)	E9	
					Fail unlocked 24 V (342)	F9	
					Only specify 12 or 24 V fail unlocked with model 342.		

*FAFIX and keep guide cannot be combined. Digit 1 - 7: A = DR connecting terminals also DR below (short strike side). Digit 1 - 7: S = Connecting terminals always above (long strike side) DIN = 4/5. For possible combinations, please see the price list. Striking plates with keep guide are only supplied with mounted strike. The keep is adjusted in the factory to the keep guide. The first 7 digits can vary for special models. Please enquire with us regarding the designation for special models. For possible combinations, please see the price list. 1422 = Special model suitable for horizontal mounting.

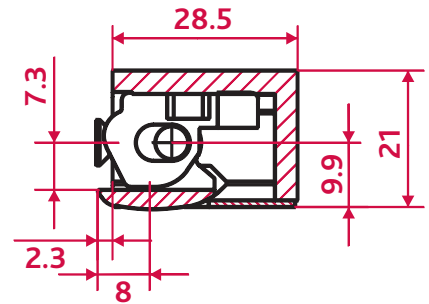


High-Security Strikes for Fire Doors and Fire Barriers

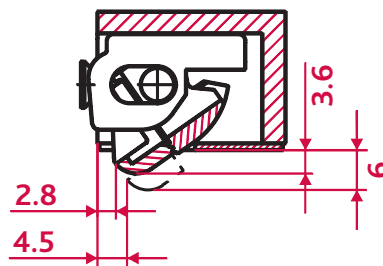
- The universal strike in a solid design
- Suitable for all commonly used striking plates
- Combinable with striking plates with keep guide
- Safety strike in compact design
- Mounting depth and housing width as for standard door release
- Precision cast steel housing
- With adjustable FaFix keep



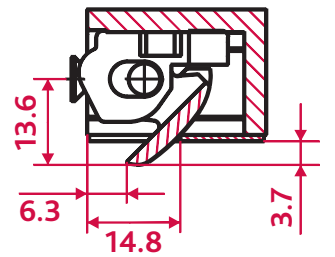
FaFix (FF) Version



Sectional Drawing 1:1



Standard Version



To contact us or for more information please see below

Tel: 0114 234 5288 Fax: 0114 234 1643

ASD Architectural, 901 Herries Road, Hillsborough, Sheffield S6 1QH

rp@asdmetservices.co.uk www.asdarchitectural.com

