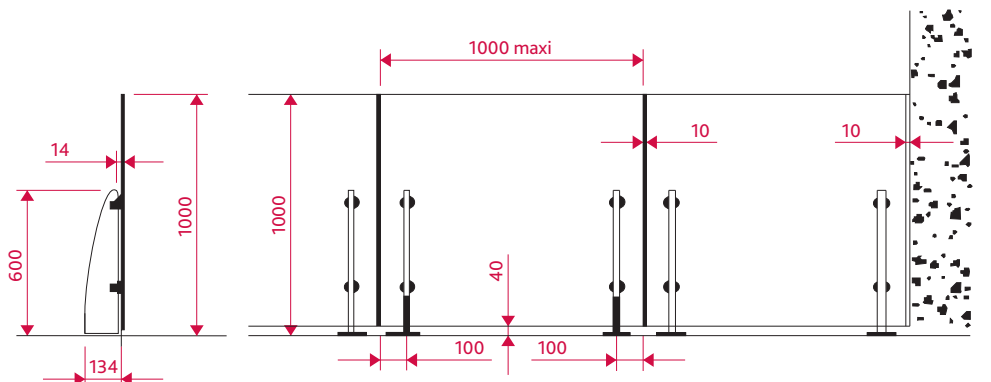
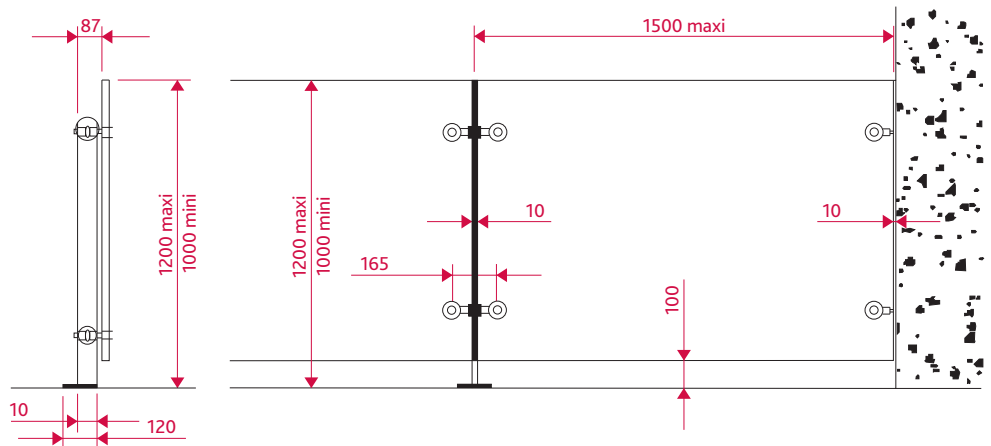


ASD Bespoke Offset Glass Balustrade System

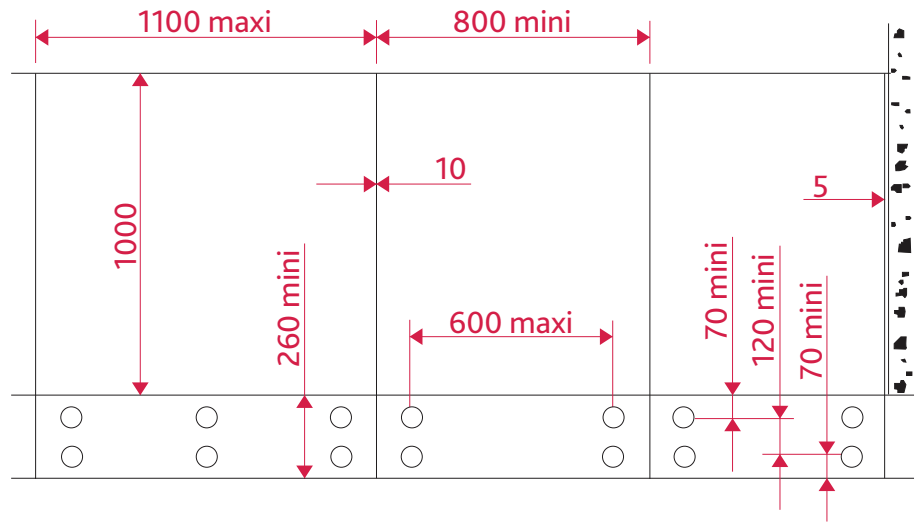
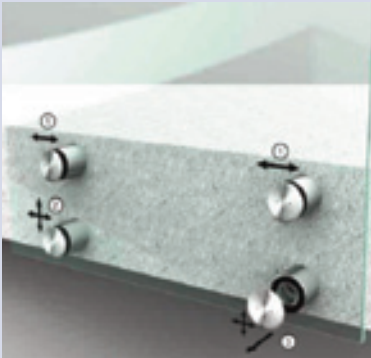
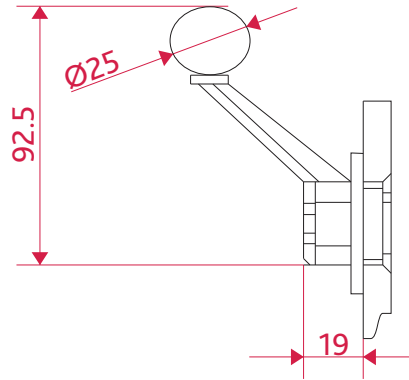


- 316 stainless steel connectors coupled with fixed glass bolts
- 3D adjustments
- Flush glass finish
- Glass thickness: from 12.5mm to 25.5mm (depending on connectors)



ASD Bespoke Offset Glass Balustrade System

Bolted glass balustrade system



To contact us or for more information please see below

Tel: 0114 234 5288 Fax: 0114 234 1643

ASD Architectural, 901 Herries Road, Hillsborough, Sheffield S6 1QH

rp@asdmetservices.co.uk www.asdarchitectural.com

