

ASD Elegance PR - Post & Railing Systems



ASD Architectural

klöckner & co multi metal distribution

Innovative & Sustainable Architectural Systems in Metal & Glass

T: 0114 234 5287/88

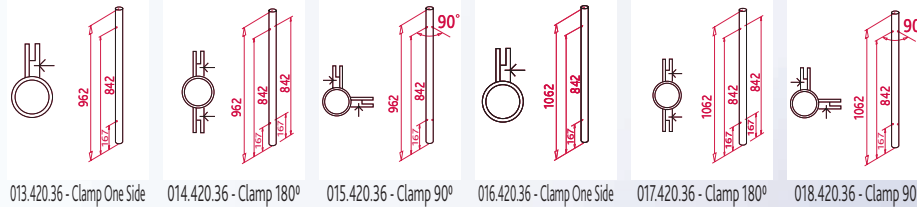
F: 0114 234 1643

e: elegance@asdmetservices.co.uk

Floor Brackets



Pre-Drilled Baluster Posts



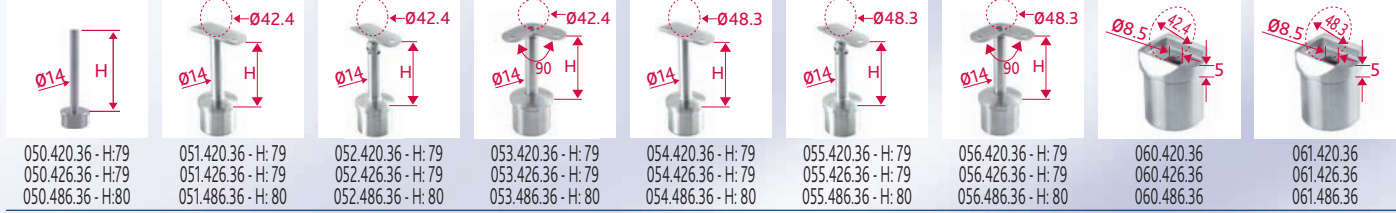
Product Key			
Code	Item	Size	Grade Finish
e.g. 010	420	36	MP

420 = 42.4 x 2mm
426 = 42.4 x 2.6mm
486 = 48.3 x 2.6mm
600 = 60.3 x 1.5mm
MP = Mirror Polished

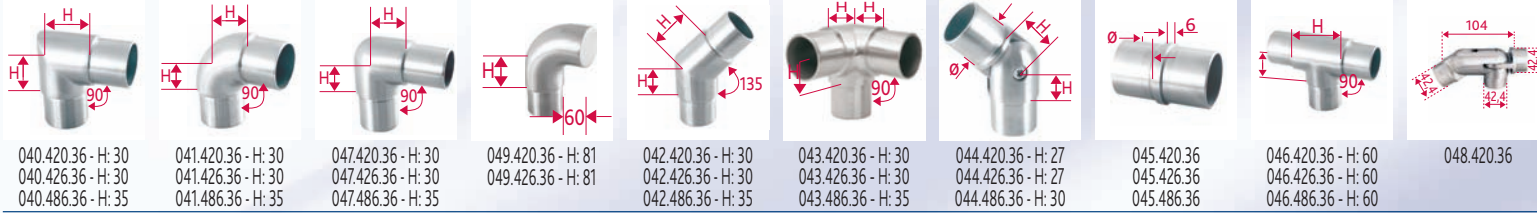
Wall Brackets - Complies to BS6180



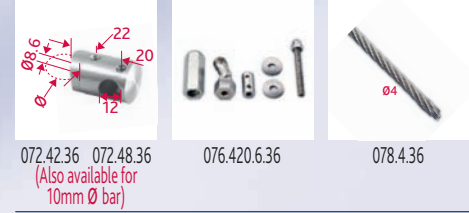
Saddles



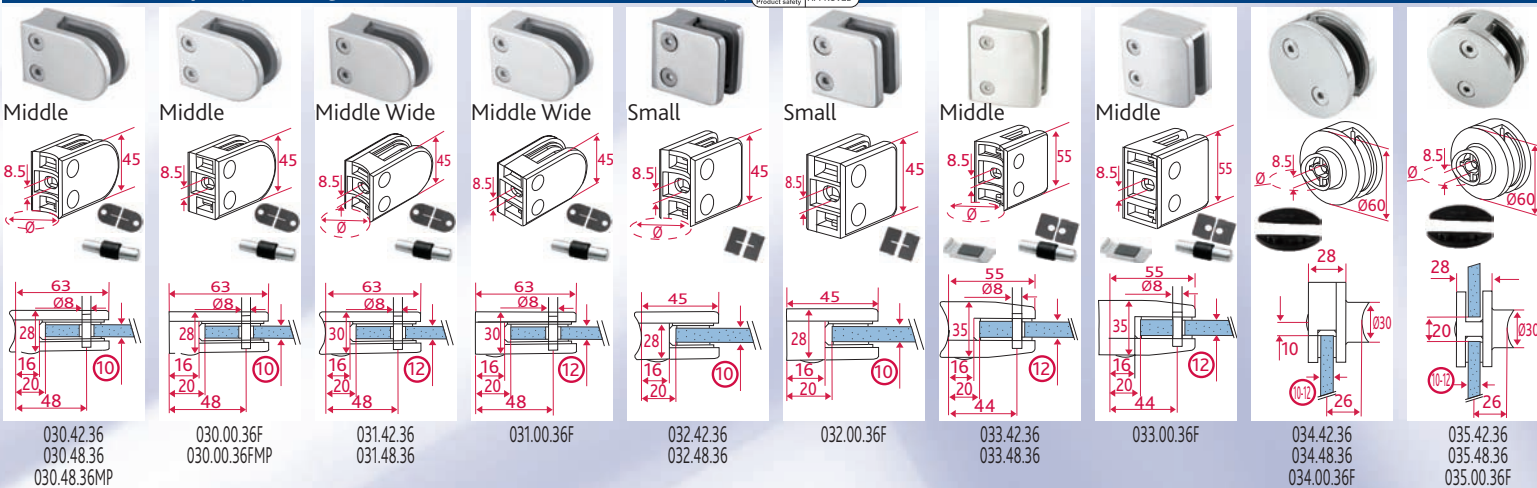
Elbows



Cable & Bar Systems



Glass Clamps (Safety tested to TUV institute)



Accessories

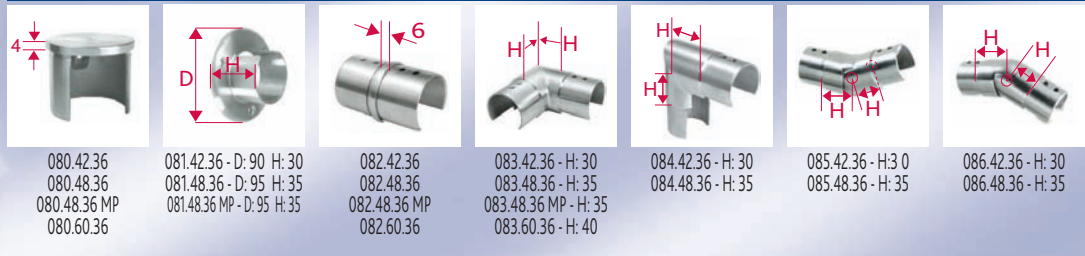


ASD Elegance SG - Structural Glass Balustrade

ASD Elegance SG - Structural Glass Balustrade - Tested to 6180



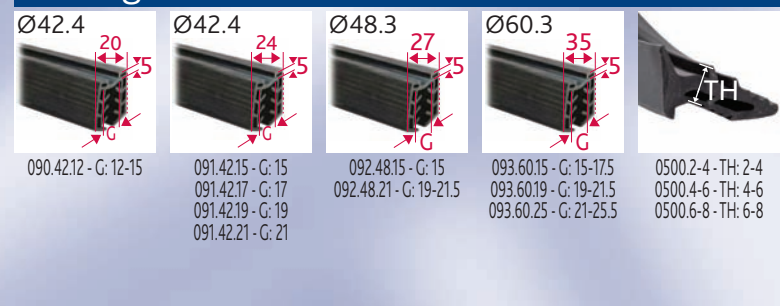
Slotted Tube Fittings



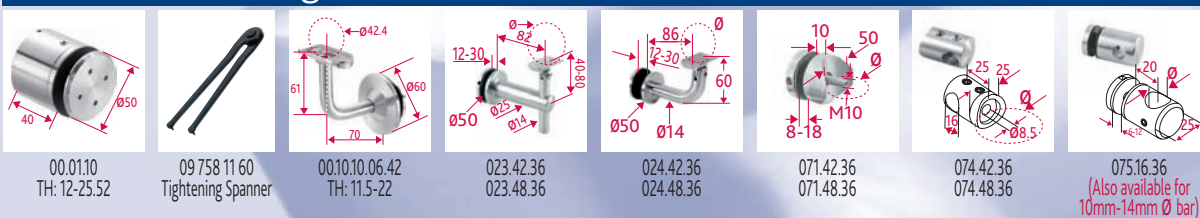
Stainless Steel Tubes and Bars



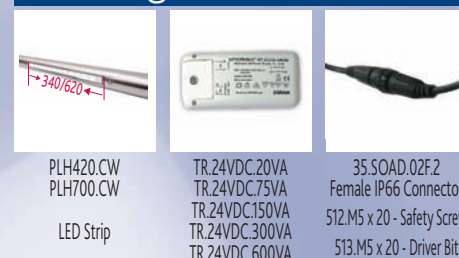
Glazing Gaskets



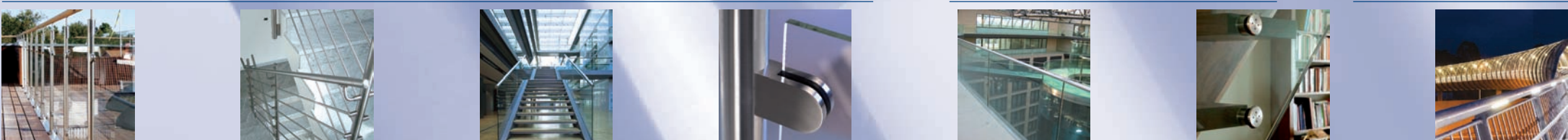
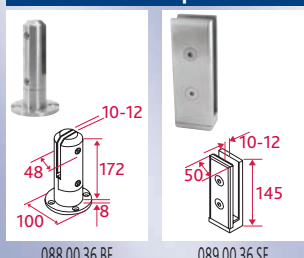
Offset Glass Fittings



ASD Elegance LED



Base Clamps



All fittings are stainless steel satin finish 320 grit

Whilst every attempt has been made to make sure all content within this document is correct errors and omissions are accepted.