

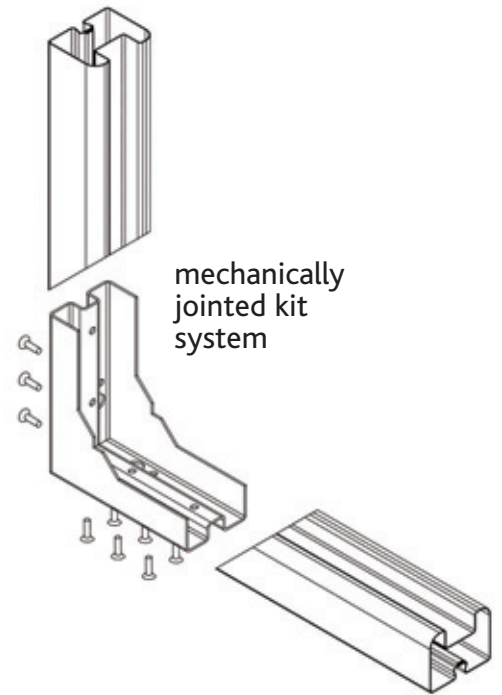
ASD Prestige Shopfront System

- Stainless Steel
- Brass
- Cor-ten
- Bronze
- DDA Compliant



Double Action Doors

- Double Action Doors
- Mechanical joint system (kit form)
- Full supply of accessories including : hinges, pivot sets, locks, handles, door closers, automatic, door operators
- For SGU or DGU
- Stainless steel profiles in brushed or polished finish (304/316)
- Bronze profiles in burnished finish, natural brass to be polished
- Full gasket for excellent weather performance
- Option for fire-rated according to metal use
- Bending of profiles available on request



All relevant - why time changing iron mongery is available with this system



Double Action Doors



Stainless Steel



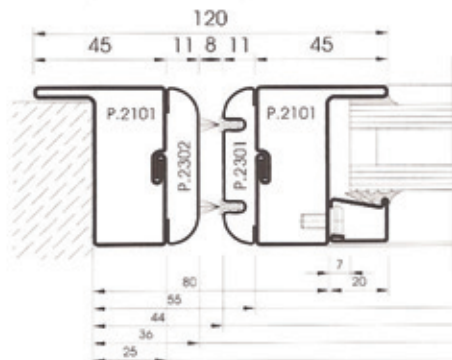
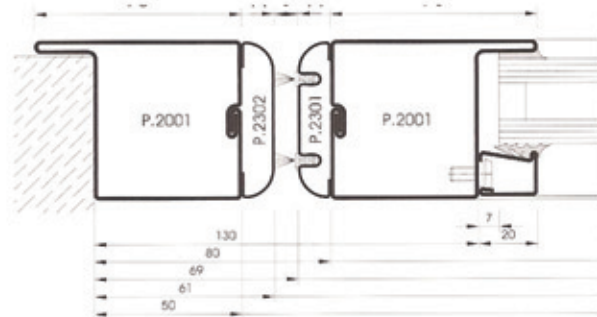
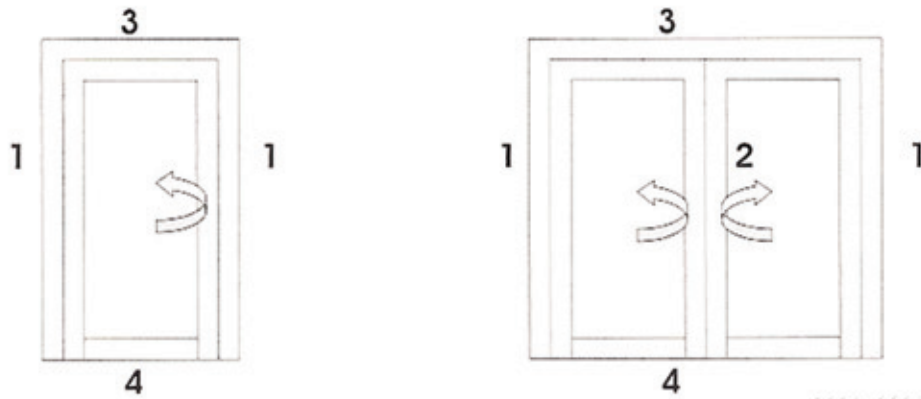
Brass



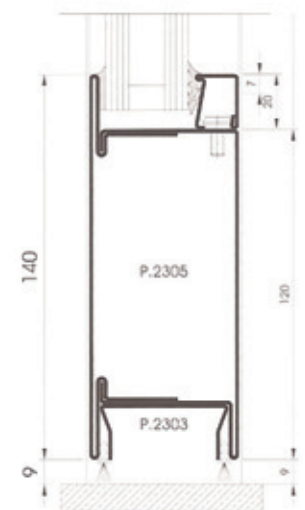
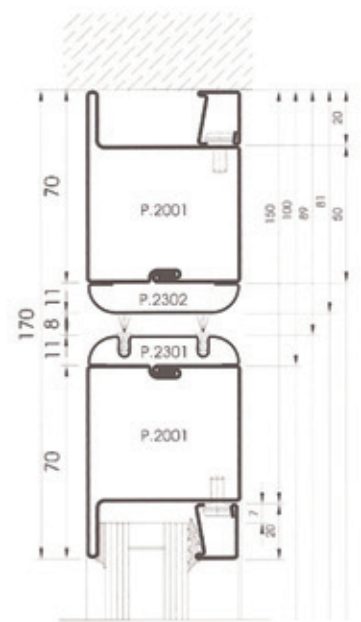
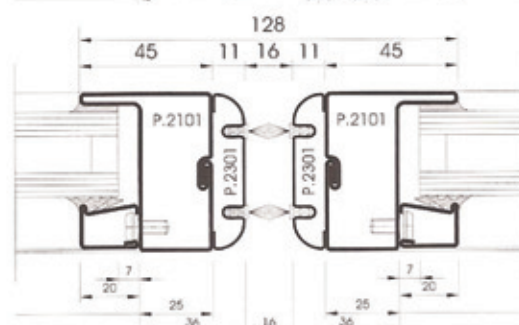
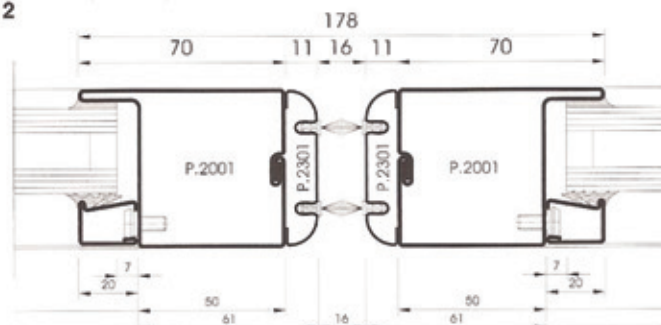
Cor-ten



Bronze



Section 2



Automatic Swing-Doors

The ASD Shopfront system provides automatic swing door operation, which is compliant with the requirements of the DDA. ASD Architectural provide the door operator complete with the necessary safety devices and a range of door controls.



Stainless Steel



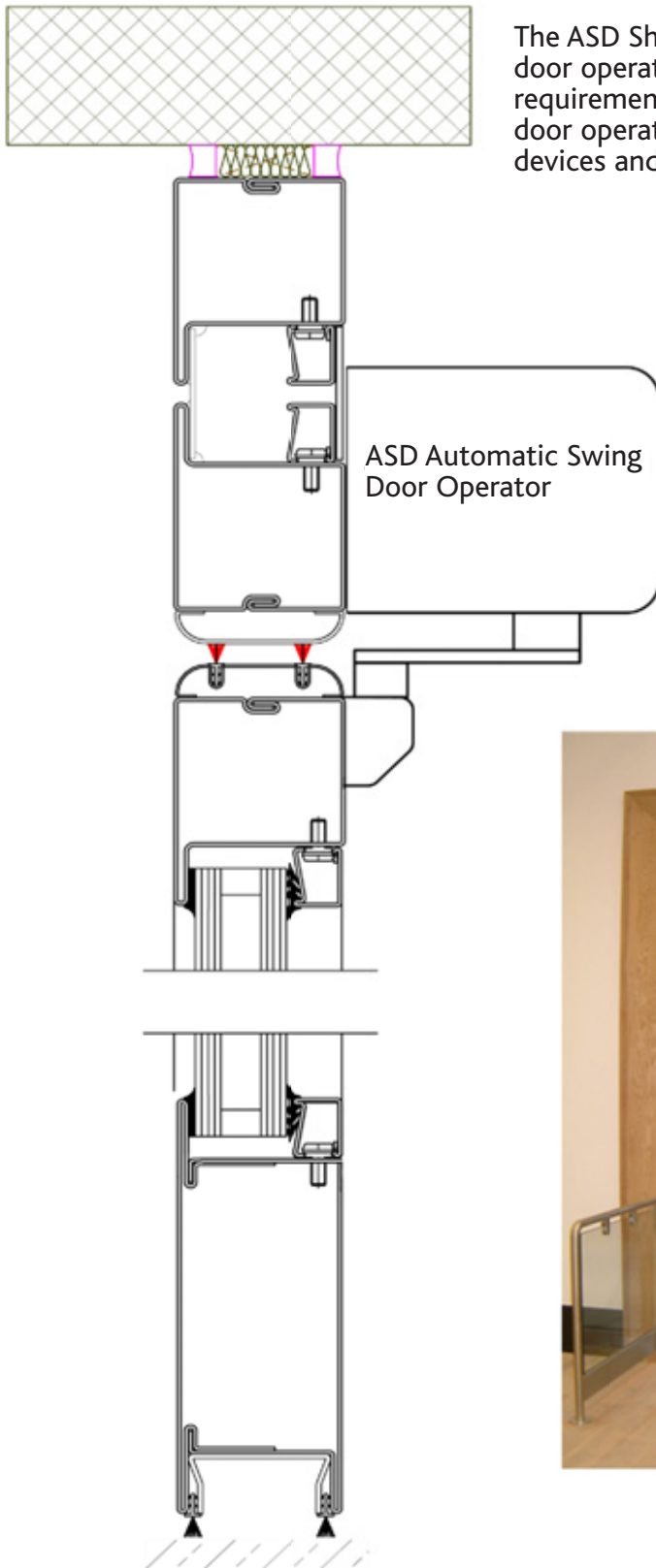
Brass



Cor-ten



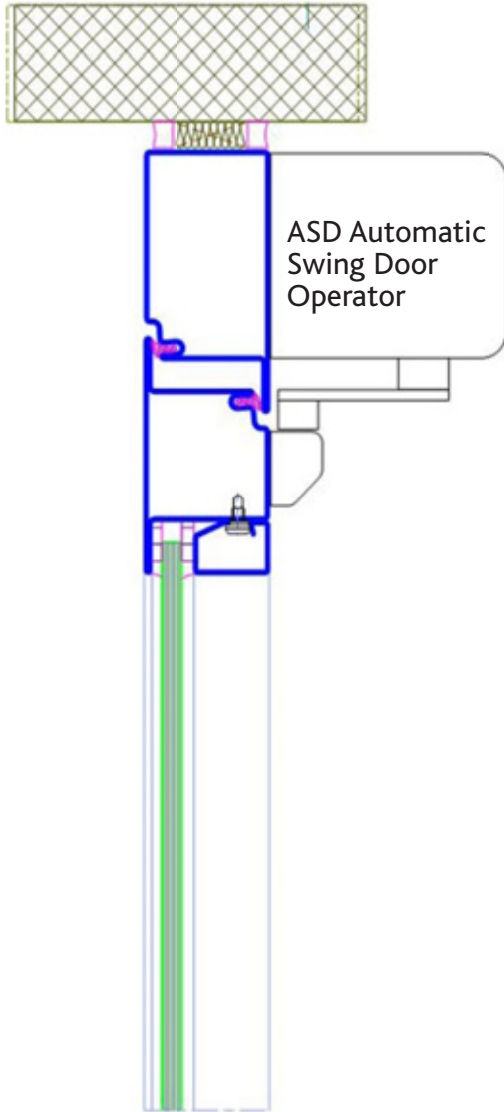
Bronze



Push and Push side operators available.



Fire Rated Automatic Swing Doors Steel Integrity

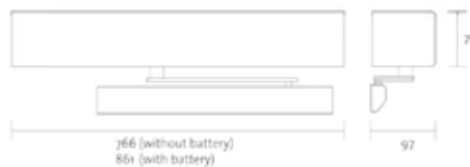
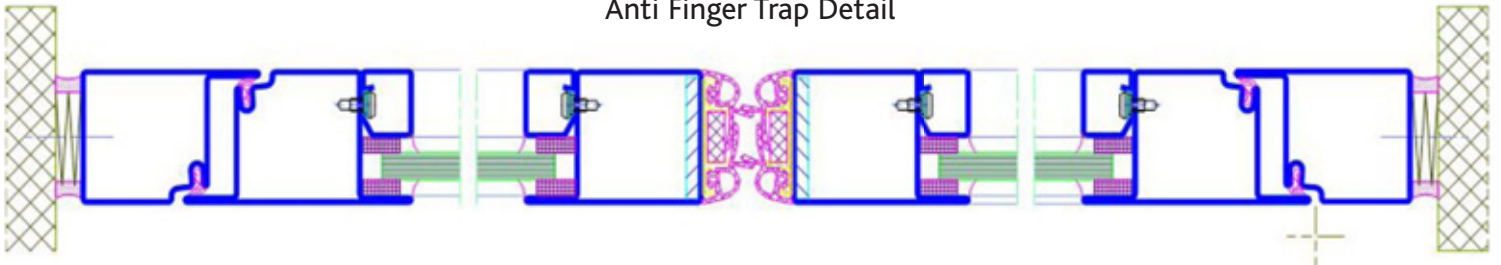


Push and Push side operators available.

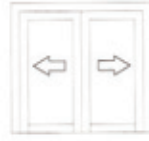
The ASD Shopfront system provides automatic swing door operation which is fire rated for up to 60 minutes integrity, which is also compliant with the requirements of the DDA.

ASD Architectural provide the door operators, complete with the necessary safety devices and a range of door controls

Anti Finger Trap Detail



Automatic Sliding Doors



Anti Finger Trap Detail



Stainless Steel



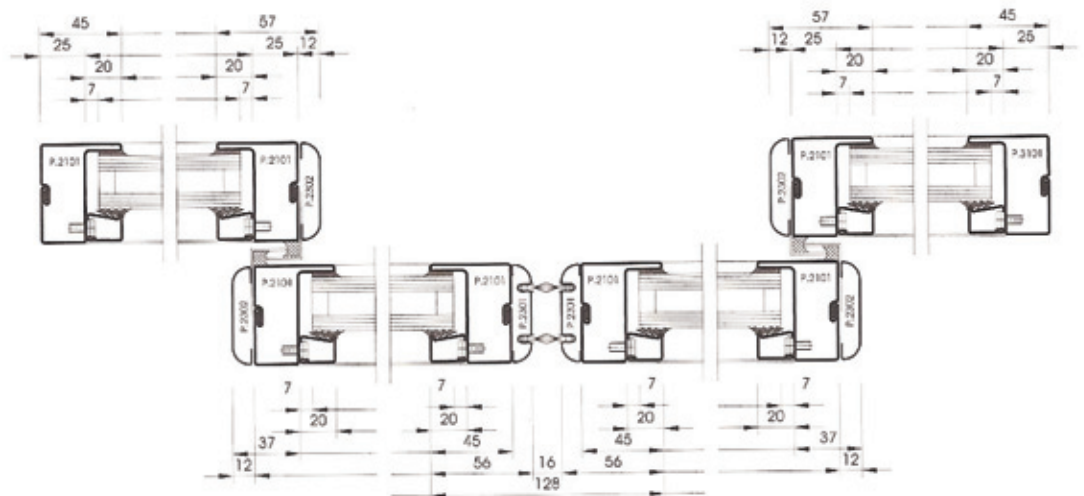
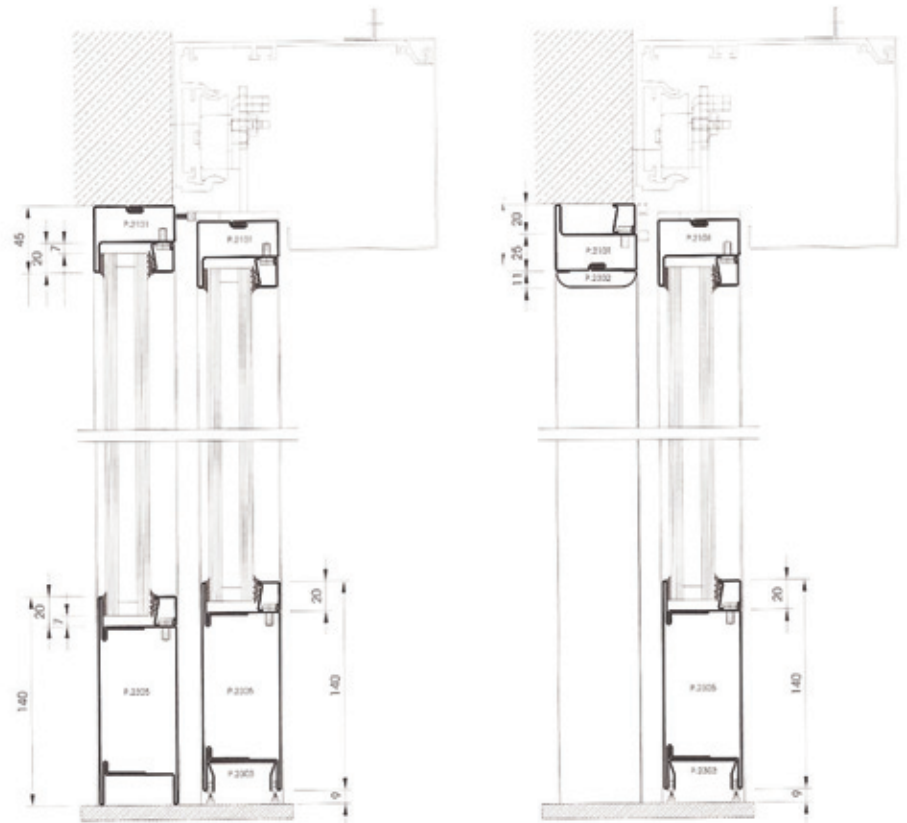
Brass



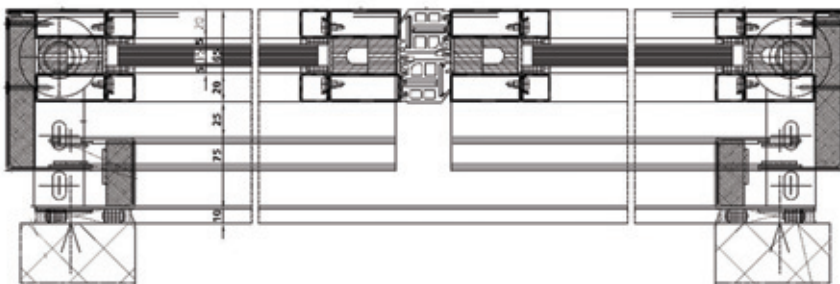
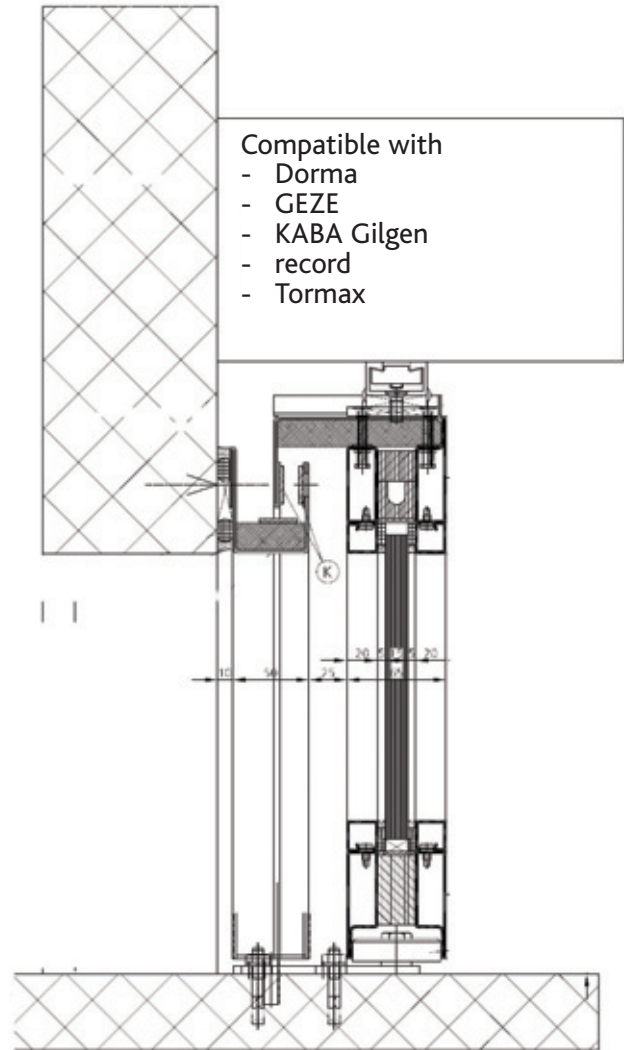
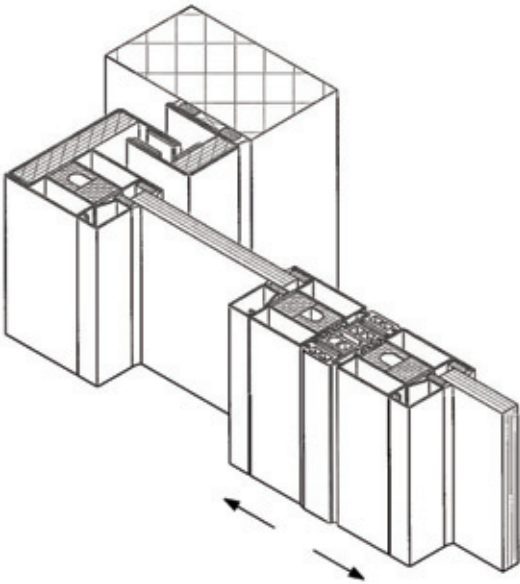
Cor-ten



Bronze



Fire Resistant Automatic Sliding Doors Integrity



To contact us or for more information please see below

Tel: 0114 234 5288 Fax: 0114 234 1643

ASD Architectural, 901 Herries Road, Hillsborough, Sheffield S6 1QH

rp@asdmetservices.co.uk www.asdarchitectural.com

