



SL SERIES SL 135 type

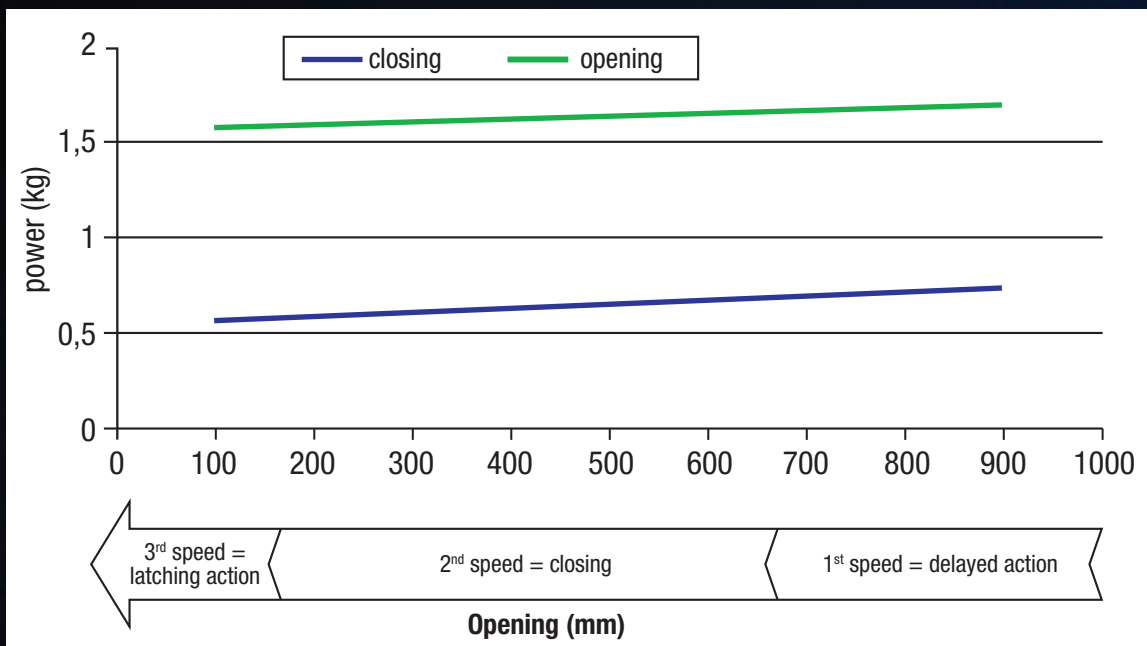
- 1 000 000 tested cycles
- Concealed mechanism
- Single and double action doors
- 3 speed adjustment screws
- Door hold open
- Backcheck
- Designed for disabled people
- Opening up to 1350mm

Description

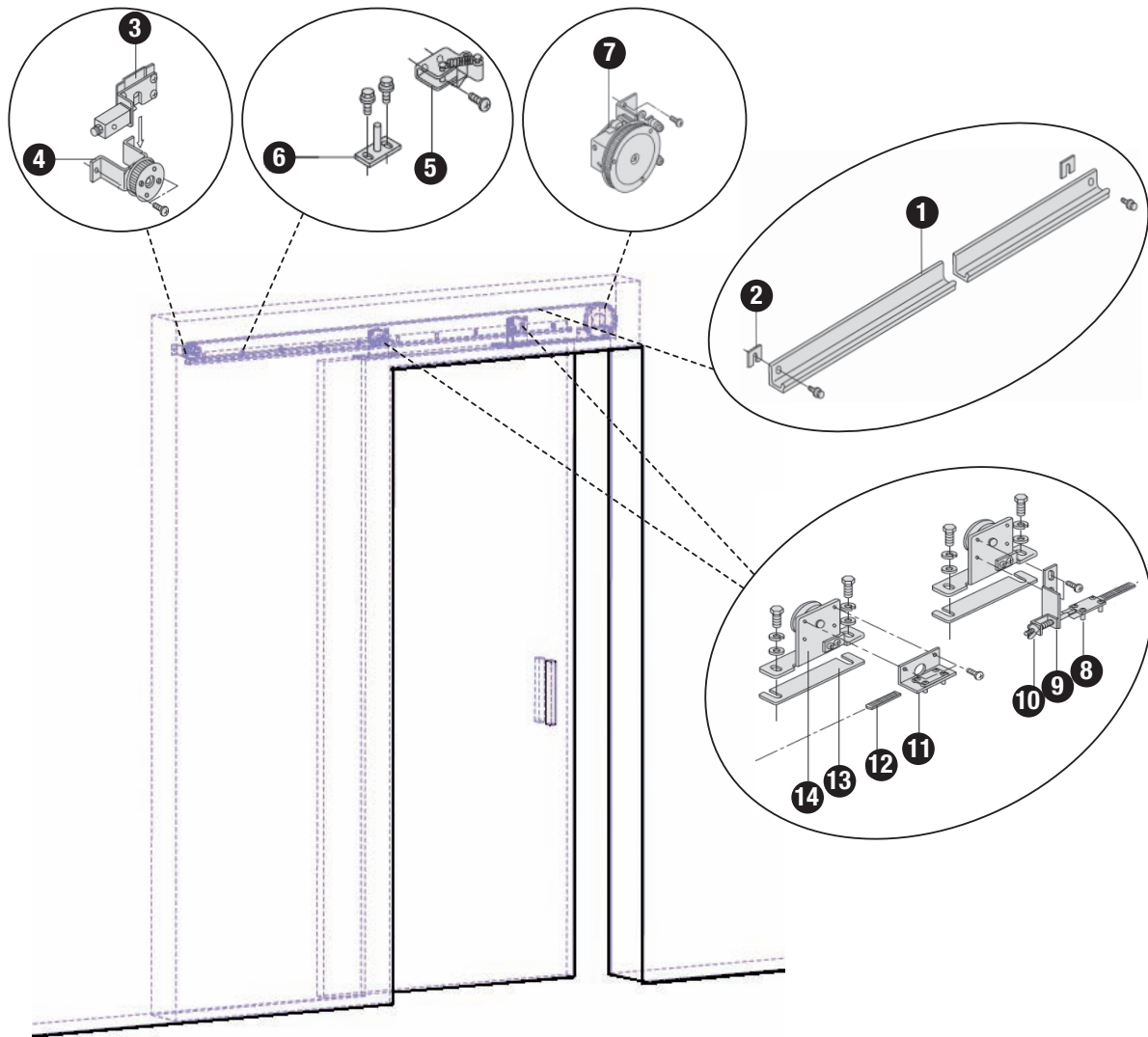
Concealed hydraulic door-closer for sliding doors.

Application

Wooden and metallic doors - max. weight: 80kg



Door Closer for Sliding Doors



- 1 rail (standard length: 2 480 mm)
- 2 rail distance block (t = 1,0 ; 10 pieces)
- 3 multiple hold open system (only on some models)
- 4 Pulley
- 5 Hold open system (only on some models)
- 6 hold open pin (only on some models)
- 7 driving pulley (hydraulic brake)
- 8 belt fixing plate
- 9 belt fixing device on the trolley
- 10 screw for belt adjustment
- 11 belt fixing device on the trolley
- 12 synchronous belt (standard length = 4,5 m)
- 13 spacer for trolley (t = 1,0 ; 6 pieces)
- 14 trolley

Door installation	opening type	hold open type	reference	max dimensions of the door		
				width	length	weight
Concealed installation on the door	Simple (left side/ right side) 1 door leaf	—	SL13500S	1 440	2 100	80
		O	SLS1350S			
		O multiple hold open	SLM1350S			
	Double 2 door leaves	—	SL13500D	1 440	2 100	60 (for 2 door leaves)
		O	SLS1350D			
		O multiple hold open	SLM1350D			
aluminium rail for SL135 mechanism L = 2 480 mm (one for one door leaf)			SL13500R			

